

NJ 204 ECPHA

- SKF Explorer

Cylindrical roller bearings, single row

Bearing data

Tolerances,

Normal (metric), P6, Normal (inch),

Radial internal clearance,

cylindrical bore, tapered bore,

Axial internal clearance,

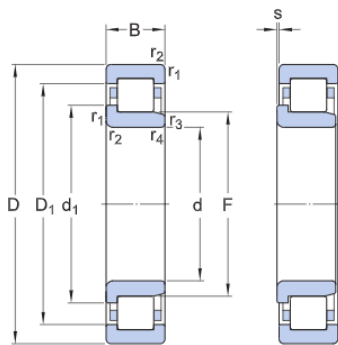
NUP, NJ + HJ

Bearing interfaces

Seat tolerances for standard conditions,

Tolerances and resultant fit

Technical specification

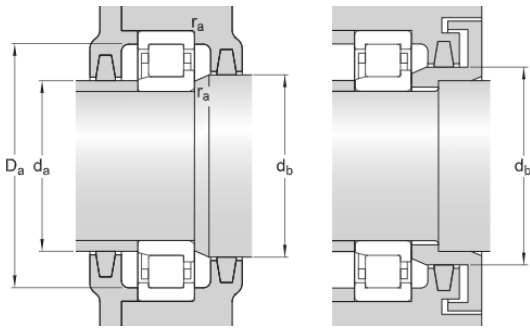


DIMENSIONS

| | | |
|------|------------|--|
| d | 20 mm | Bore diameter |
| D | 47 mm | Outside diameter |
| B | 14 mm | Width |
| d1 | ≈29.7 mm | Shoulder diameter of inner ring |
| D1 | ≈38.44 mm | Shoulder diameter of outer ring |
| F | 26.5 mm | Chamfer dimension of loose flange ring |
| r1,2 | min.1 mm | Chamfer dimension |
| r3,4 | min.0.6 mm | Chamfer dimension |
| s | max.1 mm | Permissible axial displacement |

ABUTMENT DIMENSIONS

| | | |
|----|-------------|----------------------------|
| da | min.25 mm | Diameter of spacer sleeve |
| da | max.25.4 mm | Diameter of spacer sleeve |
| db | min.31 mm | Diameter of shaft abutment |
| | max.41.7 mm | Diameter of shaft abutment |



| | | |
|-------|-------------|------------------|
| D_a | mm | housing abutment |
| r_a | max.1 mm | Radius of fillet |

CALCULATION DATA

| | | |
|---------------------------|-------|--------------|
| Basic dynamic load rating | C | 28.5 kN |
| Basic static load rating | C_0 | 22 kN |
| Fatigue load limit | P_u | 2.75 kN |
| Reference speed | | 17 000 r/min |
| Limiting speed | | 24 000 r/min |
| Minimum load factor | k_T | 0.23 |
| Limiting value | e | 0.2 |
| Axial load factor | Y | 0.6 |

MASS

| | |
|------|---------|
| Mass | 0.11 kg |
|------|---------|